

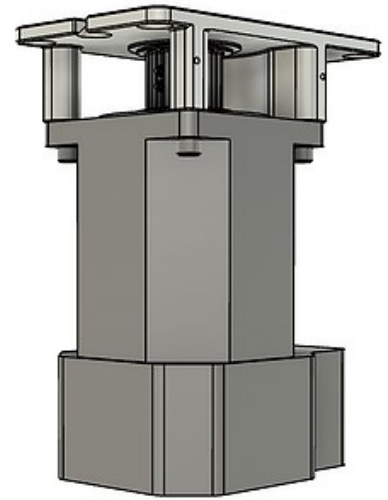
PRECISION VST X₁



Our standard VST X1 System is our flagship motor assembly that impressively powers 75% of the door systems we automate.

The VST X1 is the perfect solution for in-line or equal bi-part systems.

The VST X1 motor is controlled by our 7 inch HD touchscreen

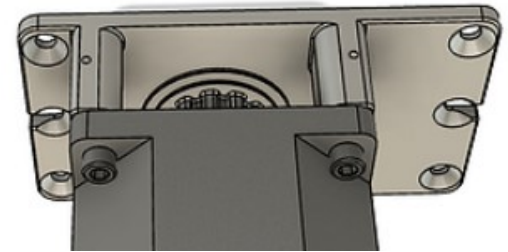


Material

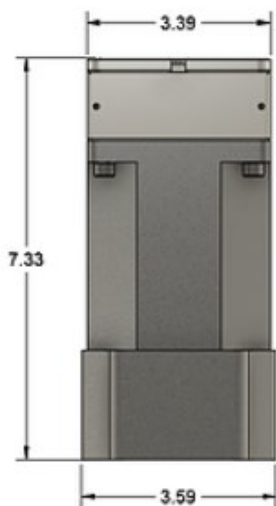
- One-piece milled aerospace-grade aluminum black anodized head bracket.
- One-piece milled aerospace-grade aluminum black anodized drive pulley.
- Dual bore stainless steel drive pulley set screws.
- Stainless steel head bearing.

Mounting

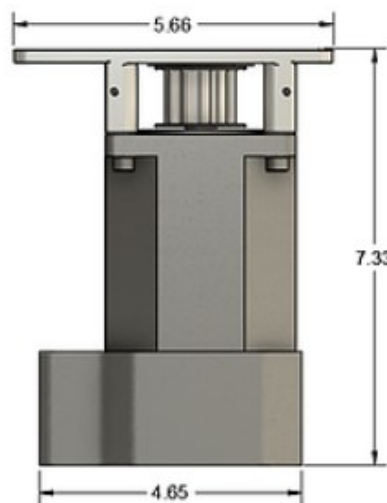
- Milled countersunk perimeter holes for ultimate installation stability.
- Two countersunk installation support templates.
- 3-sided motor board installation bores.
- Designed for both in-line or perpendicular vertical installation.
- Front or side drive belt feed for ultimate installation flexibility.



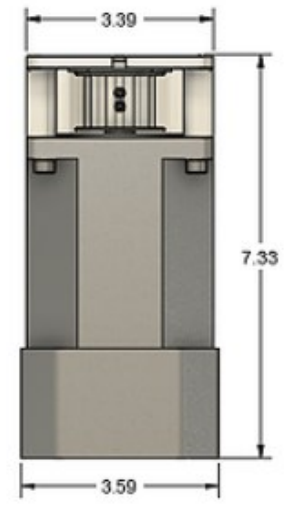
Motor Dimensions



Back



Side



Front