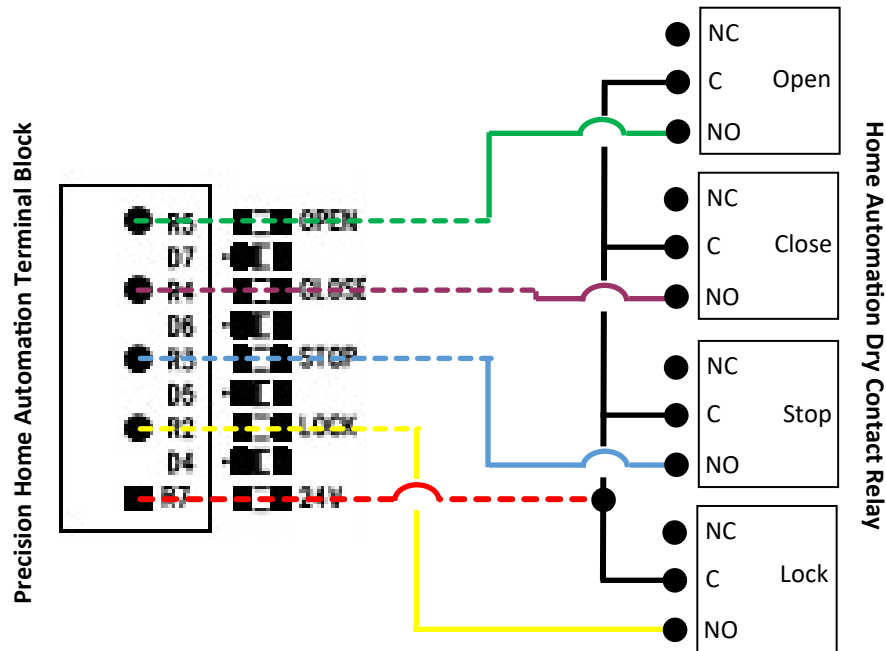




# PRECISION AUTOMATED SYSTEMS

Home Automation Terminal Connection is located on the I/O motor board connected to the motor assembly.



## Home Automation Connection Instructions

From the Precision motor I/O board connect the 24V terminal to the common terminal of each dry contact relay.

Connect open, close, stop, and lock to each of their dry contact normally open relay.

Maintain a closed signal for a minimum of 200ms for desired command.

**CLOSE CONTACTS TO ACTIVATE**