

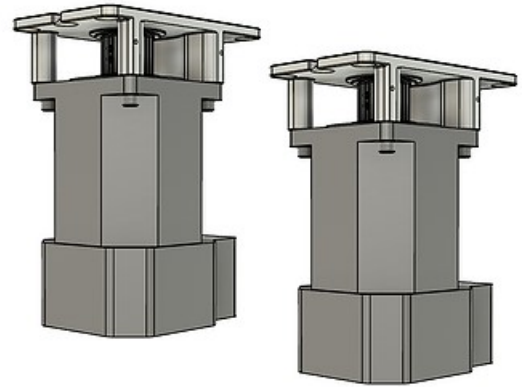
PRECISION VST X₂



Our VST X₂ is two VST X₁ motors controlled by our 7 inch HD Touchscreen coordinating the open and close sequence.

The VST X₂ is the perfect solution for corner units or unequal bi-parts

Both of the VST X₂ motors are controlled by our 7 inch HD touchscreen

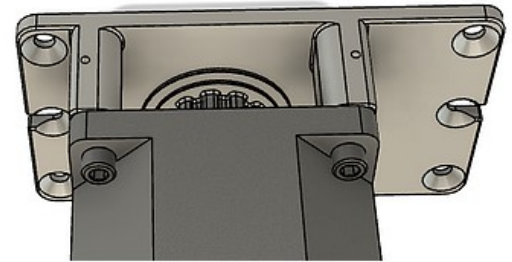


Material

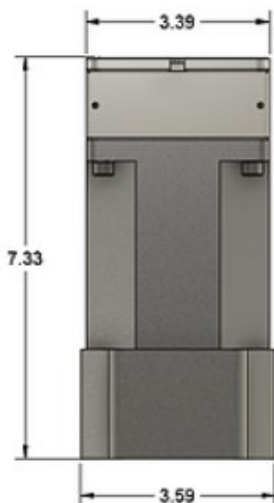
- One-piece milled aerospace-grade aluminum black anodized head bracket.
- One-piece milled aerospace-grade aluminum black anodized drive pulley.
- Dual bore stainless steel drive pulley set screws.
- Stainless steel head bracket bearing.

Mounting

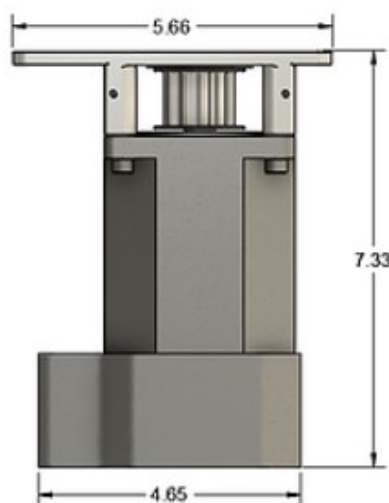
- Milled countersunk perimeter holes for ultimate installation stability.
- Two countersunk installation support templates.
- 3-sided motor board installation bores.
- Designed for both in-line or perpendicular vertical installation.
- Front or side drive belt feed for ultimate installation flexibility.



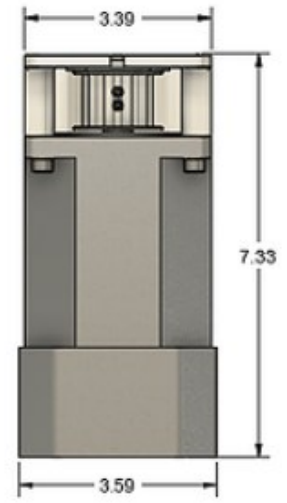
Motor Dimensions



Back



Side



Front