

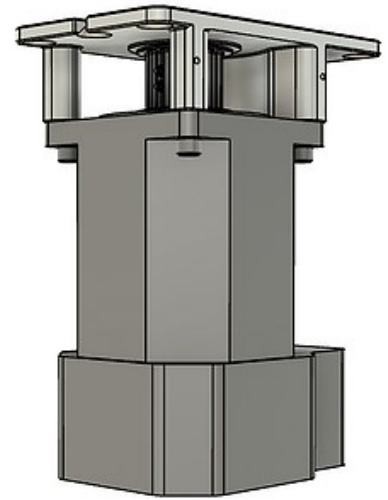
# PRECISION VST X<sub>1</sub>



Our standard VST X1 System is our flagship motor assembly that impressively powers 75% of the door systems we automate.

The VST X1 is the perfect solution for in-line or equal bi-part systems.

The VST X1 motor is controlled by our 7 inch HD touchscreen

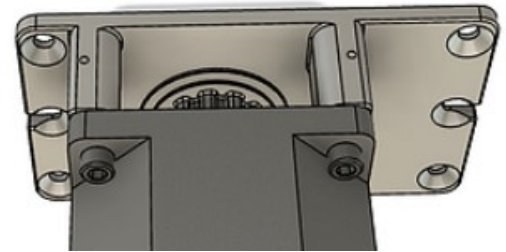


## Material

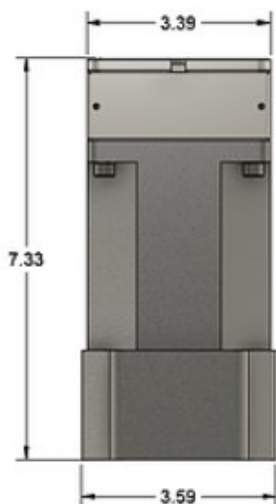
- One-piece milled aerospace-grade aluminum black anodized head bracket.
- One-piece milled aerospace-grade aluminum black anodized drive pulley.
- Dual bore stainless steel drive pulley set screws.
- Stainless steel head bearing.

## Mounting

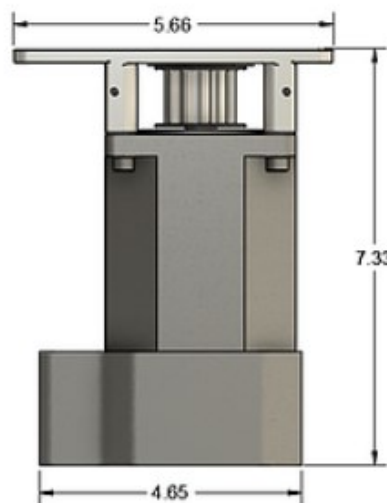
- Milled countersunk perimeter holes for ultimate installation stability.
- Two countersunk installation support templates.
- 3-sided motor board installation bores.
- Designed for both in-line or perpendicular vertical installation.
- Front or side drive belt feed for ultimate installation flexibility.



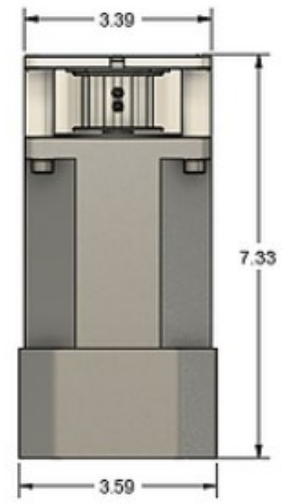
## Motor Dimensions



Back



Side



Front

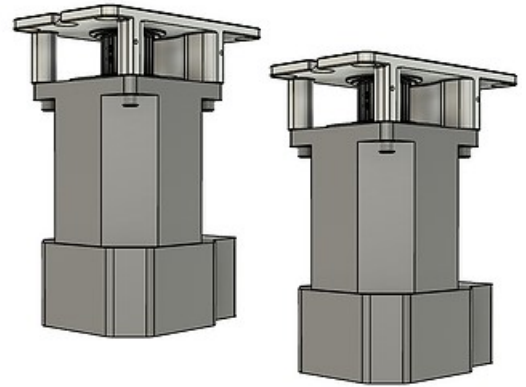
# PRECISION VST X<sub>2</sub>



Our VST X<sub>2</sub> is two VST X<sub>1</sub> motors controlled by our 7 inch HD Touchscreen coordinating the open and close sequence.

The VST X<sub>2</sub> is the perfect solution for corner units or unequal bi-parts

Both of the VST X<sub>2</sub> motors are controlled by our 7 inch HD touchscreen

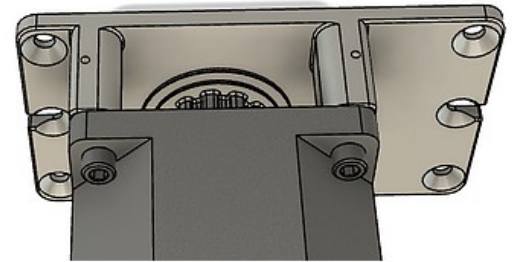


## Material

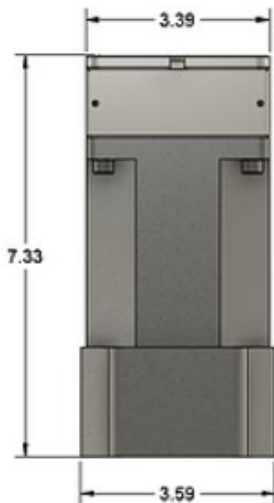
- One-piece milled aerospace-grade aluminum black anodized head bracket.
- One-piece milled aerospace-grade aluminum black anodized drive pulley.
- Dual bore stainless steel drive pulley set screws.
- Stainless steel head bracket bearing.

## Mounting

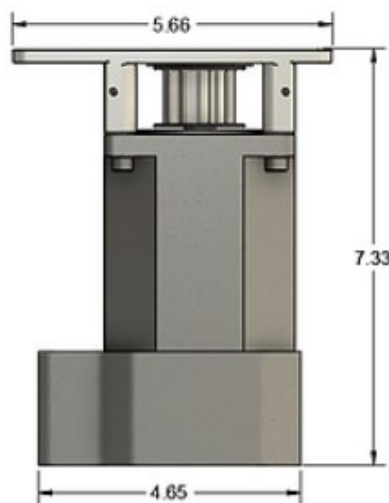
- Milled countersunk perimeter holes for ultimate installation stability.
- Two countersunk installation support templates.
- 3-sided motor board installation bores.
- Designed for both in-line or perpendicular vertical installation.
- Front or side drive belt feed for ultimate installation flexibility.



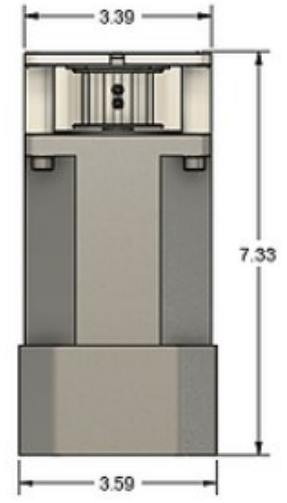
## Motor Dimensions



Back



Side



Front

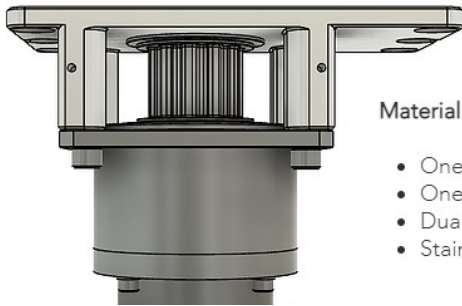
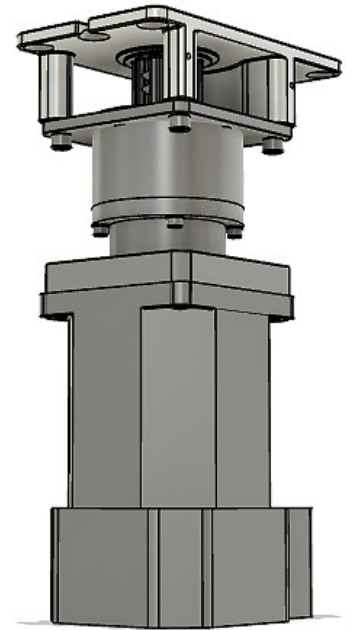
# PRECISION VST X<sub>3</sub>



Our VST X3 is our high torque motor moving massive glass door systems.

The VST X3 triples the torque of our standard VST X1 motor assembly moving an unlimited amount of panels.

The VST X3 motor is controlled by our 7 inch HD touchscreen

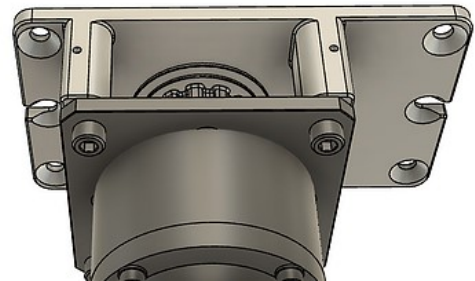


## Material

- One-piece milled aerospace-grade aluminum black anodized head bracket.
- One-piece milled aerospace-grade aluminum black anodized drive pulley.
- Dual bore stainless steel drive pulley set screws.
- Stainless steel head bracket bearing.

## Mounting

- Milled countersunk perimeter holes for ultimate installation stability.
- Two countersunk installation support templates.
- 3-sided motor board installation bores.
- Designed for both in-line or perpendicular vertical installation.
- Front or side drive belt feed for ultimate installation flexibility.



## Motor Dimensions

