

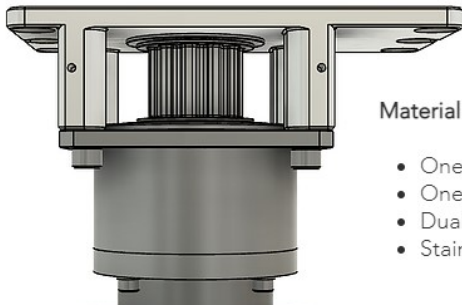
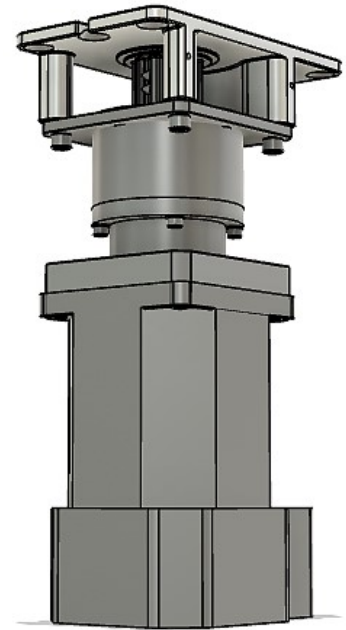
PRECISION VST X₃



Our VST X3 is our high torque motor moving massive glass door systems.

The VST X3 triples the torque of our standard VST X1 motor assembly moving an unlimited amount of panels.

The VST X3 motor is controlled by our 7 inch HD touchscreen

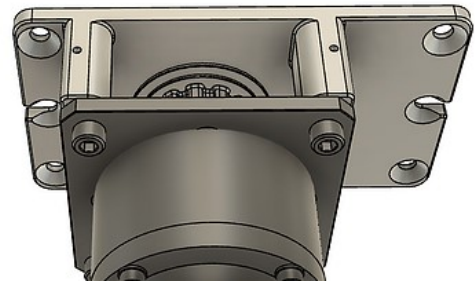


Material

- One-piece milled aerospace-grade aluminum black anodized head bracket.
- One-piece milled aerospace-grade aluminum black anodized drive pulley.
- Dual bore stainless steel drive pulley set screws.
- Stainless steel head bracket bearing.

Mounting

- Milled countersunk perimeter holes for ultimate installation stability.
- Two countersunk installation support templates.
- 3-sided motor board installation bores.
- Designed for both in-line or perpendicular vertical installation.
- Front or side drive belt feed for ultimate installation flexibility.



Motor Dimensions

