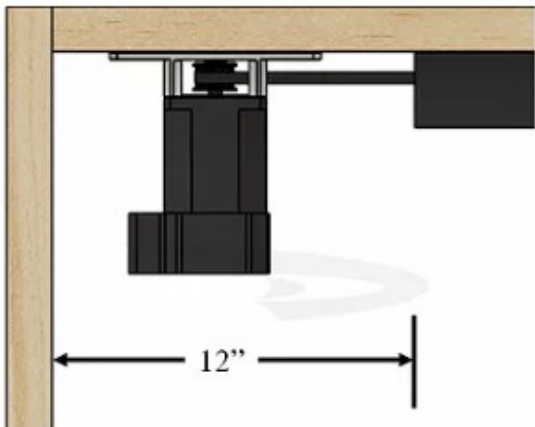


Component Placement

Pocketing Bi-Part



Motor Side



The motor can be installed on either side of the pocketing bi-part unit. The ideal allocation for the motor is 12 inches from where the panels rest in the fully open position and the back of the pocket wall.

Example:
If the panels are 60 inches, the pocket would be 72 inches on the motor side.

The minimum space allowed for the motor is 8 inches.

The motor will be installed in the center of the lead panel track, so we can attach the belt to both lead panels of the door unit.

With the belt attached to both lead panels, they will open and close simultaneously when used manually or with the automation.



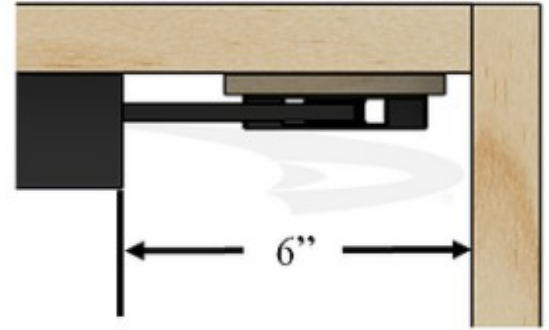
Return Pulley Side

The return pulley will be mounted in the opposite pocket as the motor assembly. Allocation for the return pulley is 6 inches from where the panels rest in the fully open position and the back of the pocket wall.

Example:

If the panels are 60 inches, the pocket would be 66 inches on the return pulley side.

The minimum space allowed for the return pulley is 6 inches.



Like the motor, the return pulley will be installed in the center of the lead panel track, so we can attach the belt to both lead panels of the door unit.

Motion Sensors

Both interior & exterior motion sensors will be installed in the middle of the door unit, protecting the close where the two panels meet in the center.

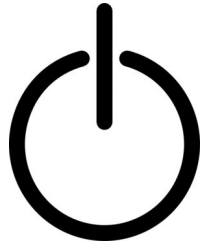


Touchscreen

On a bi-parting system, the touchscreen would typically install on the motor side of the unit. The touchscreen fits in a standard triple gang box, approx. 60 inches from the finished floor.

Power Requirements

The system requires a 110 Volt, 15 Amp dedicated circuit at the motor location.
The power supply plugs directly into a standard outlet.



Home Automation Connection

All of our systems are compatible with major home automation brands.

The home automation connects through our dry contact adapter on the motor board.

The dry contact adapter comes standard with all of our systems for home automation integration.

