



## PRECISION VST X<sub>3</sub> INVERTED KIT



When there is limited room to mount the motor traditionally, the X3 Inverted Kit is the solution.

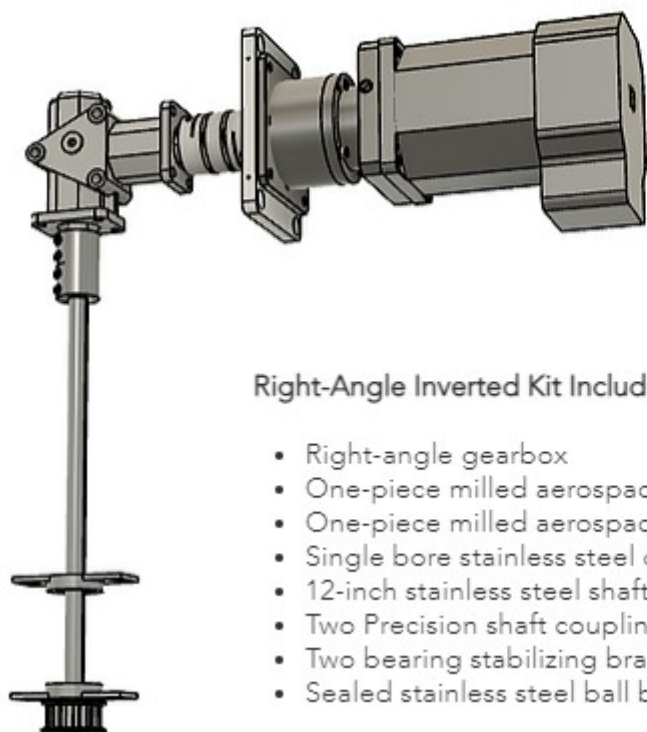
The motor mounts above the door header, with a 12-inch stainless steel shaft dropping the drive pulley into the head track.

No space, No problem, we'll invert it!

### Inverted Kit Includes:

- One-piece milled aerospace-grade aluminum black anodized head bracket.
- One-piece milled aerospace-grade aluminum black anodized drive pulley.
- Single bore stainless steel drive pulley set screw.
- 12-inch stainless steel shaft (shaft cut-to-length).
- Precision shaft coupling.
- Two bearing stabilizing brackets.
- Sealed stainless steel ball bearings.

## PRECISION VST X<sub>3</sub> INVERTED RIGHT-ANGLE KIT



No space above the door either; no worries, we got you covered there too. Our Inverted Right Angle Kit will install in headers with less than 8-inches.

Like the inverted kit, the right-angle kit motor mounts above the door header, with a 12-inch stainless steel shaft dropping the drive pulley into the head track.

### Right-Angle Inverted Kit Includes:

- Right-angle gearbox
- One-piece milled aerospace-grade aluminum black anodized head bracket.
- One-piece milled aerospace-grade aluminum black anodized drive pulley.
- Single bore stainless steel drive pulley set screw.
- 12-inch stainless steel shaft (shaft cut-to-length).
- Two Precision shaft coupling.
- Two bearing stabilizing brackets.
- Sealed stainless steel ball bearings.